



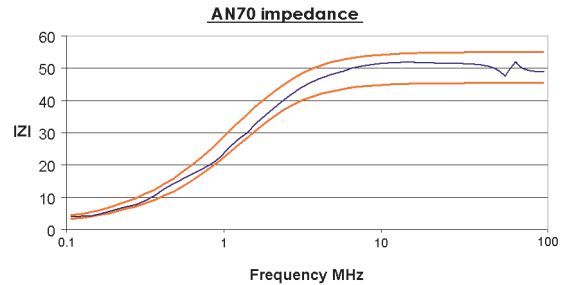
AN-70



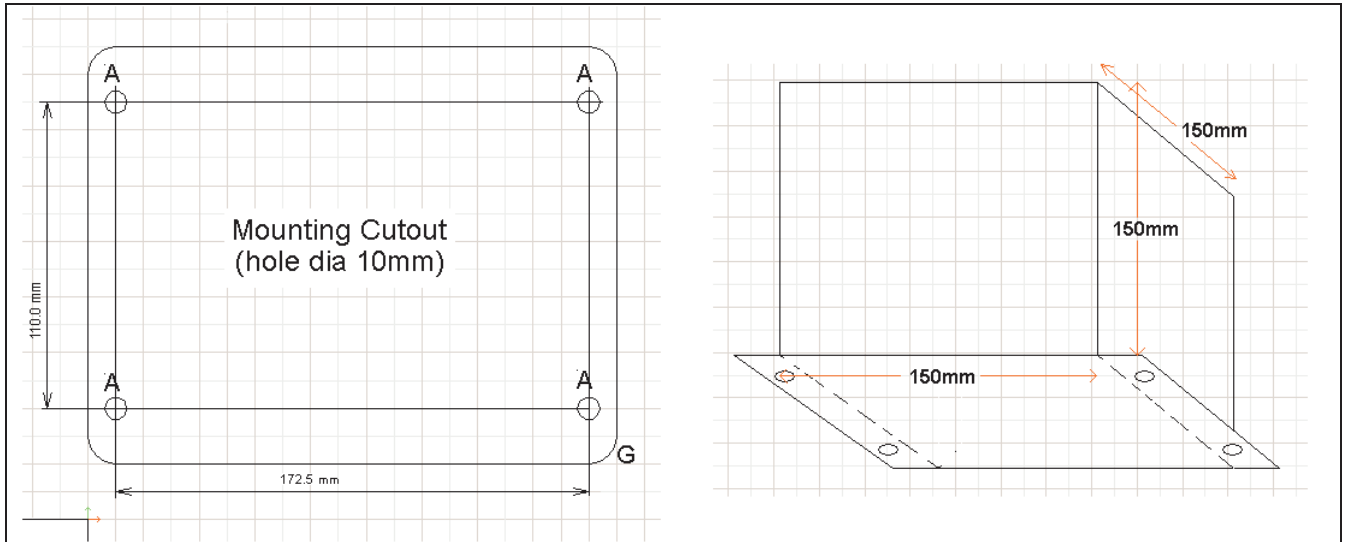
The AN-70 automotive LISN has been designed for EMC testing of automotive components and wiring harnesses. It meets the requirements of CISPR25 and ISO-7637 artificial network. The AN-70 is available with an optional 50Ω BNC measuring port.

Specification

Characteristic impedance	50 Ω
Maximum continuous current	70 A
Maximum voltage	250 VDC
Weight	2.5 Kg
Size	19 x 15 x 15 cm
Operating temperature range	-20 → +55 °C

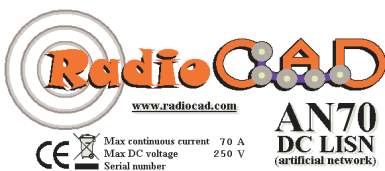


Dimensions



Typical impedance

MHz	Z Ω	MHz	Z Ω	MHz	Z Ω
0.10	3.93	1.00	26.68	10.00	49.38
0.15	5.22	1.31	31.83	15.01	49.72
0.23	7.50	1.72	36.74	22.54	49.88
0.34	10.68	2.28	42.58	33.84	49.94
0.51	15.41	3.00	46.25	50.80	49.98
0.76	21.65	3.98	48.23	100.00	50.00



Ordering information

AN-70	50 Ω internal termination
AN-70+BNC	BNC port with 50 Ω external termination

RadioCAD Limited www.radiocad.com

44 Frodsham Street, Marfleet, Hull, HU9 5QU, UK
tel: +44 1482 794551 fax: +44 1482 709209